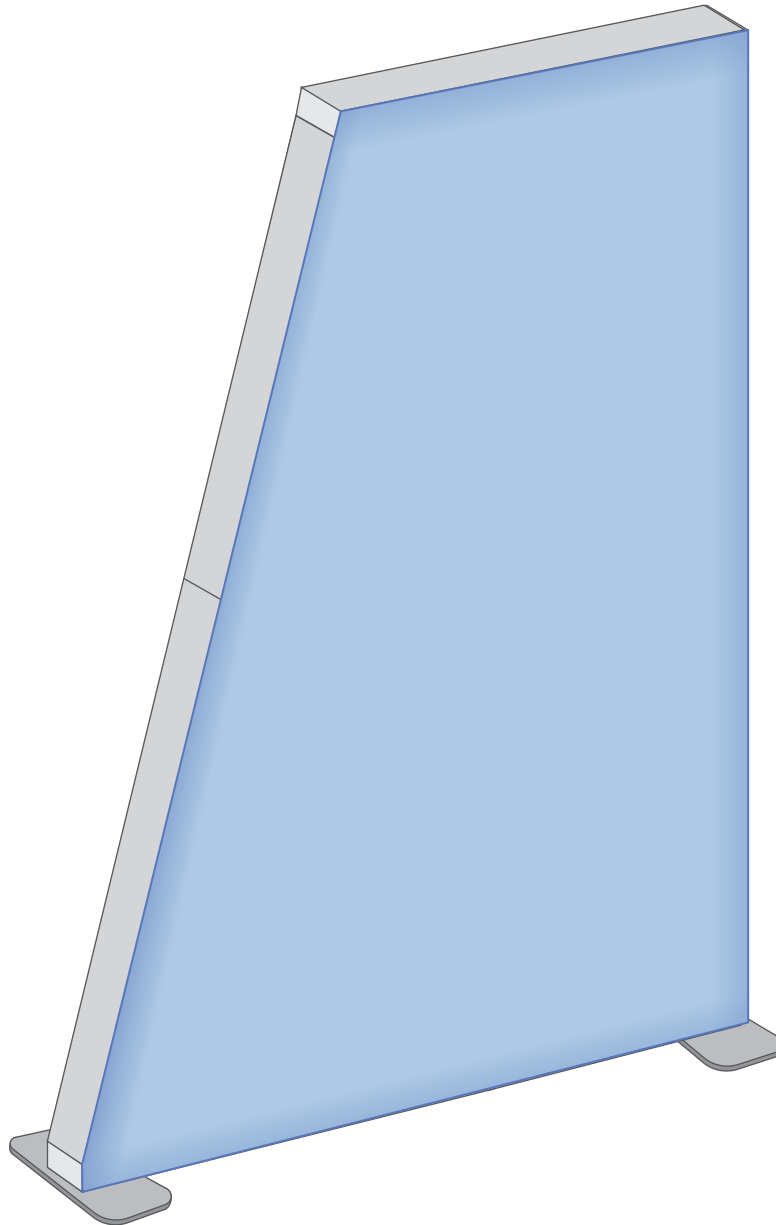


# 5ft Angled FireFly Display

## ASSEMBLY INSTRUCTIONS



# 5ft Angled FireFly Display

## ASSEMBLY INSTRUCTIONS

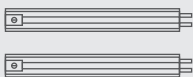
### BOX CONTENTS



(2) Bottom Frame Tracks



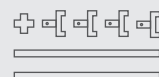
(1) Top Frame Track



(2) Top Vertical Frame Tracks



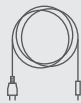
(2) Bottom Vertical Frame Tracks



(4) Center Poles  
(5 Pole Connectors)



(2) Feet



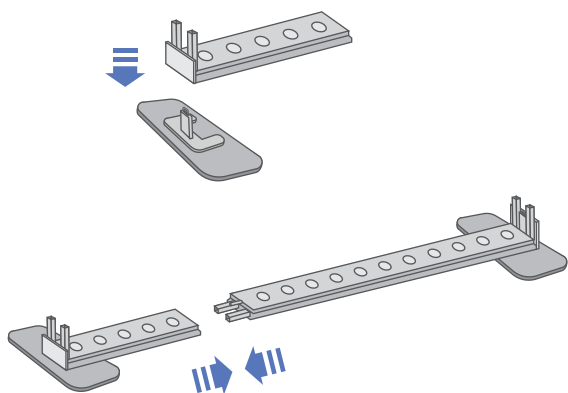
(1) Power Cord



(1) Display Graphic  
(Ships Separately)

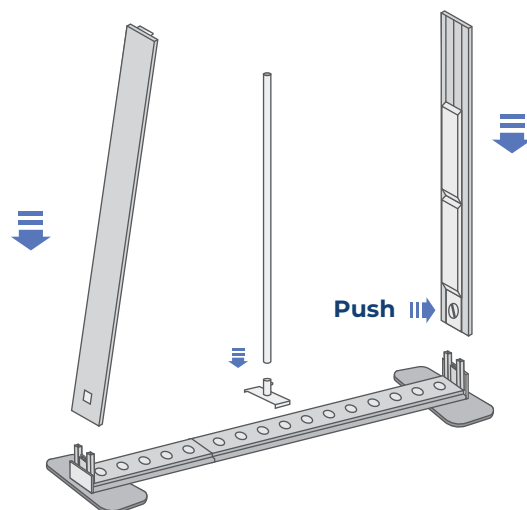
1

### Assemble the Base



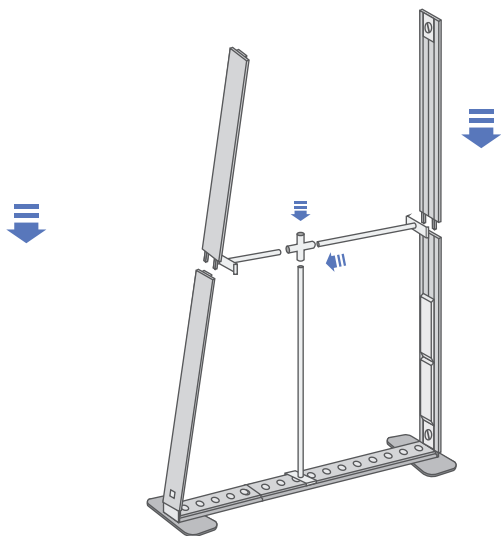
2

### Build Upward



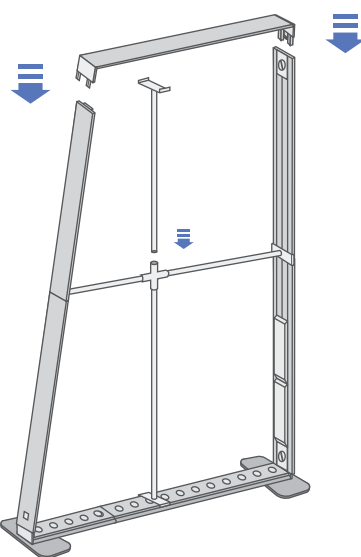
3

### Complete the Sides



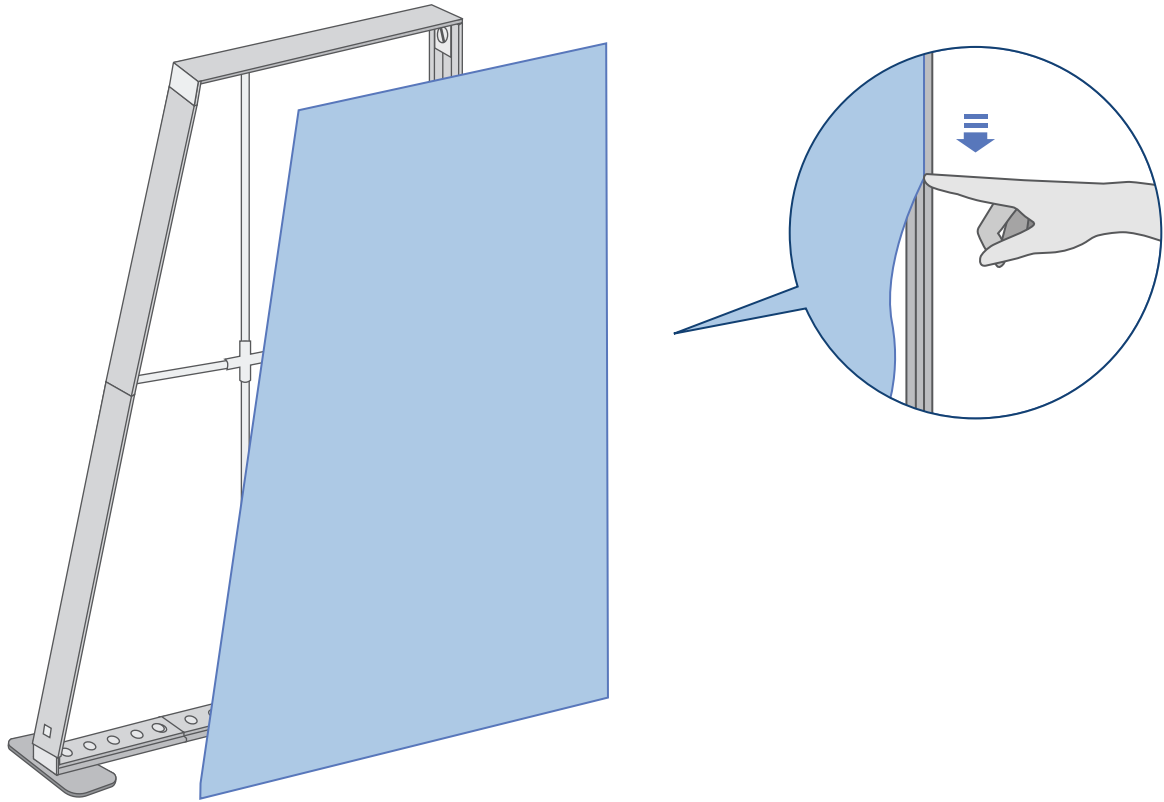
4

### Finish the Frame



5

## Install the Graphic



*Press the edges of the graphic into the grooves of the frame.*

6

## Plug In

