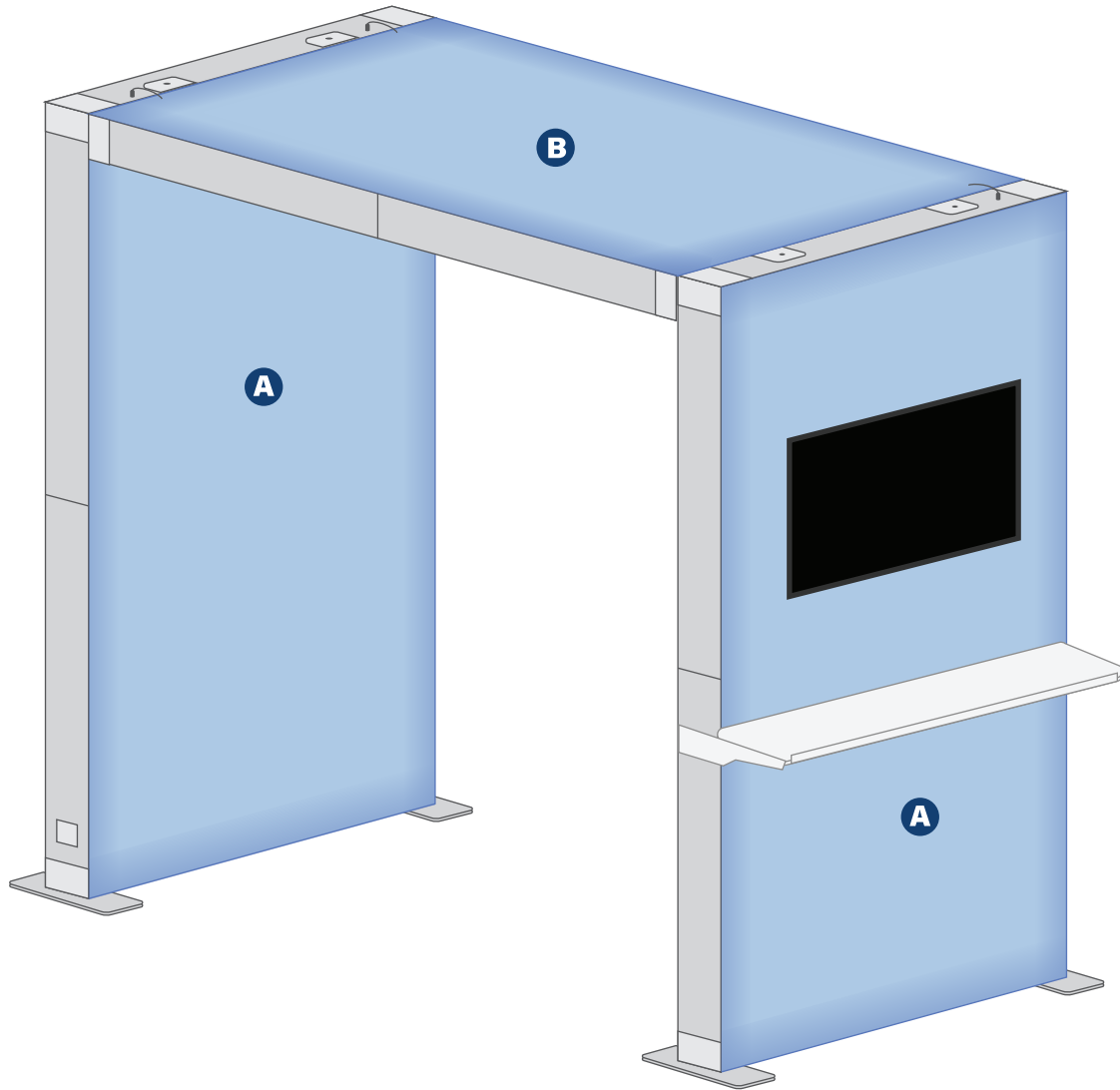


# FireFly Archway

## ASSEMBLY INSTRUCTIONS



### INCLUDED:

- A Front & Back Panels
- B Top Panel



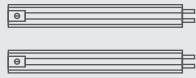
# Front & Back Panels

## ASSEMBLY INSTRUCTIONS

### BOX CONTENTS - PER PANEL



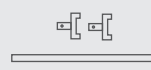
(2) Top & Bottom Frame Tracks



(2) Top Vertical Frame Tracks



(2) Bottom Vertical Frame Tracks



(1) Center Pole  
(2 Pole Connectors)



(1) Cross Bar



(1) Shelf  
(2) Arms



(2) Feet

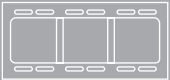


(1) Power Cord



(2) Display Graphics  
(Ships Separately)

### BOX CONTENTS - TV MOUNT



(1) TV Mount



(2) TV Mount Brackets



(4) M5/M6 Washers



(4) Spacers



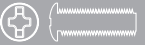
(4) M4 x 10mm



(4) M5 x 30mm



(4) M6 x 30mm

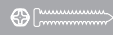


(4) M8 x 30mm

#### NOT FOR USE WITH DISPLAY



(4) Wall Anchors



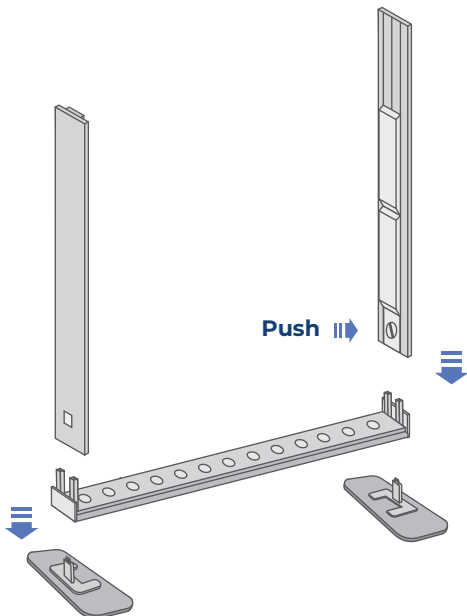
(4) Wall Anchor Screws



(4) Washers

# 1

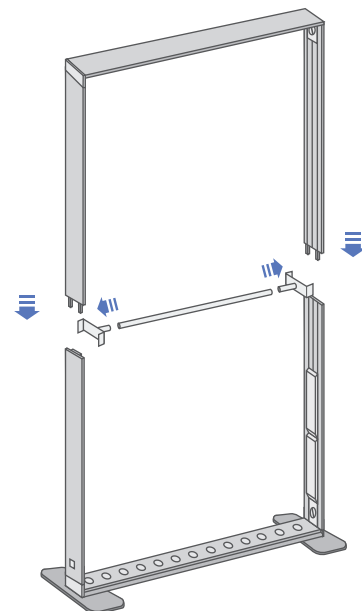
## Assemble the Base



Repeat this process for the top half of the Frame

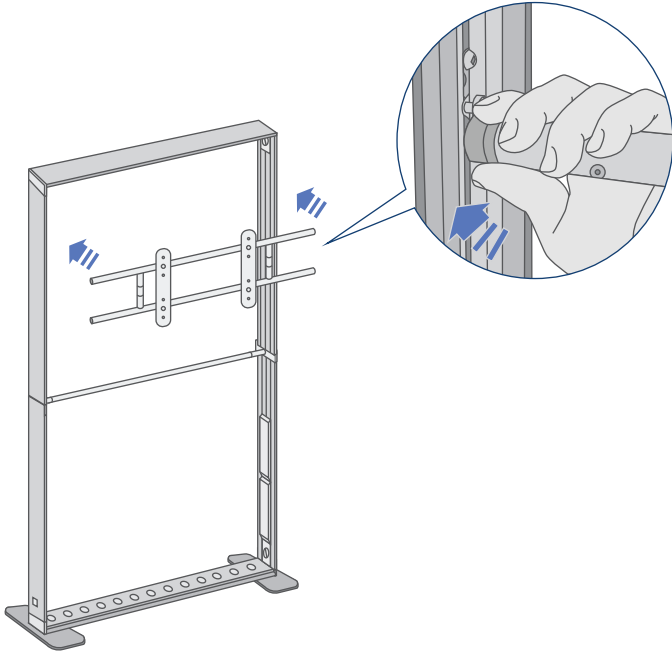
# 2

## Complete the Frame



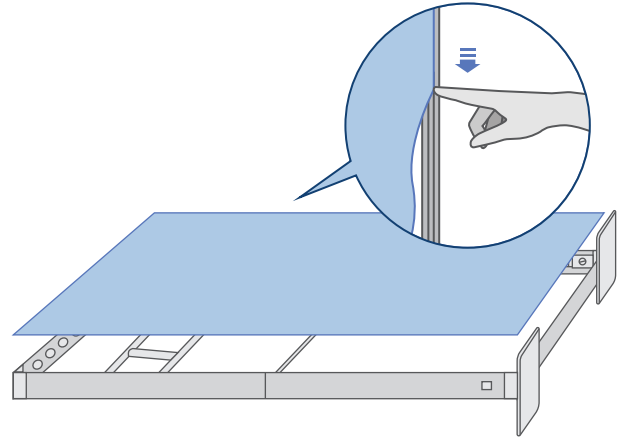
Once the halves are connected, install the Center Pole

### 3 Install Cross Bar (Front Panel)



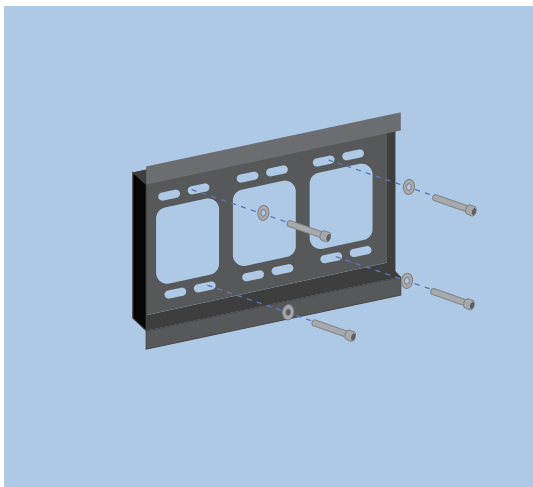
Slide the Bars into the Frame and twist upward to secure

### 4 Install Graphics



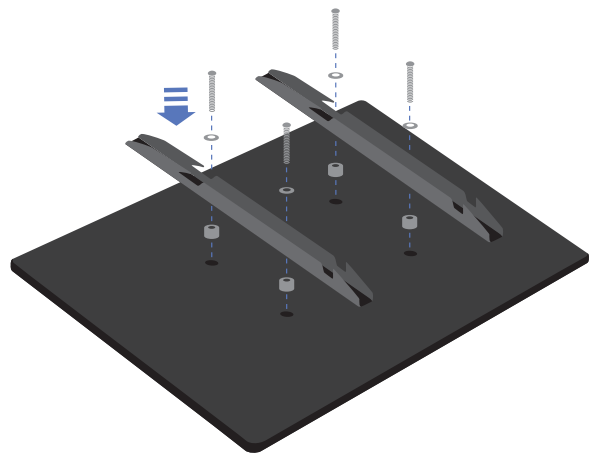
Lay the Frame on the floor and press the edges of the Graphic into the grooves of the Frame on both sides.

### 5 Attach TV Mount



Screw the TV Mount on the display using the M6 Screws and M6 washers.

### 6 Attach Brackets to Monitor

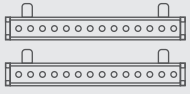


Use the Spacers and M4, M5, or M8 Screws.

# B Top Panel

## ASSEMBLY INSTRUCTIONS

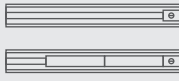
### BOX CONTENTS



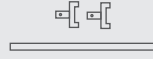
(2) Back & Front  
Frame Tracks



(2) Back Sides  
Frame Tracks



(2) Front Sides  
Frame Tracks



(1) Center Pole  
(2 Pole Connectors)



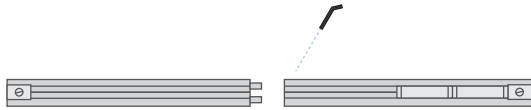
(4) Top Knobs



(2) Display Graphics  
(Ships Separately)

1

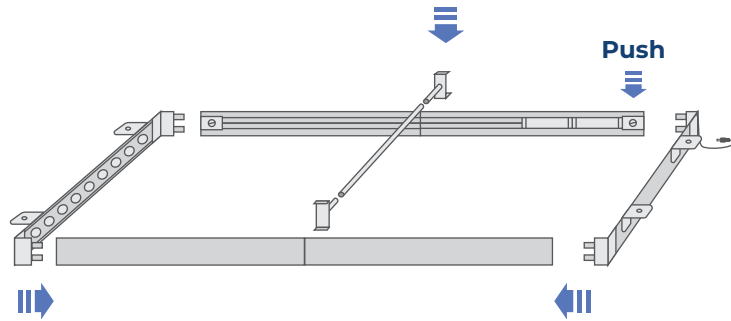
### Assemble the Sides



Match the Frame Tracks by label (Ex. L1 to L1) then use the Allen Key to secure the Frame.

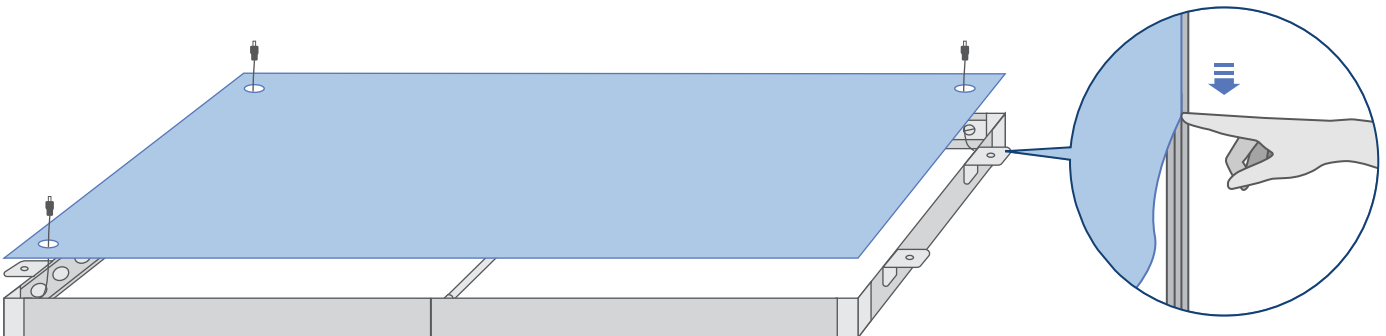
2

### Complete the Frame



3

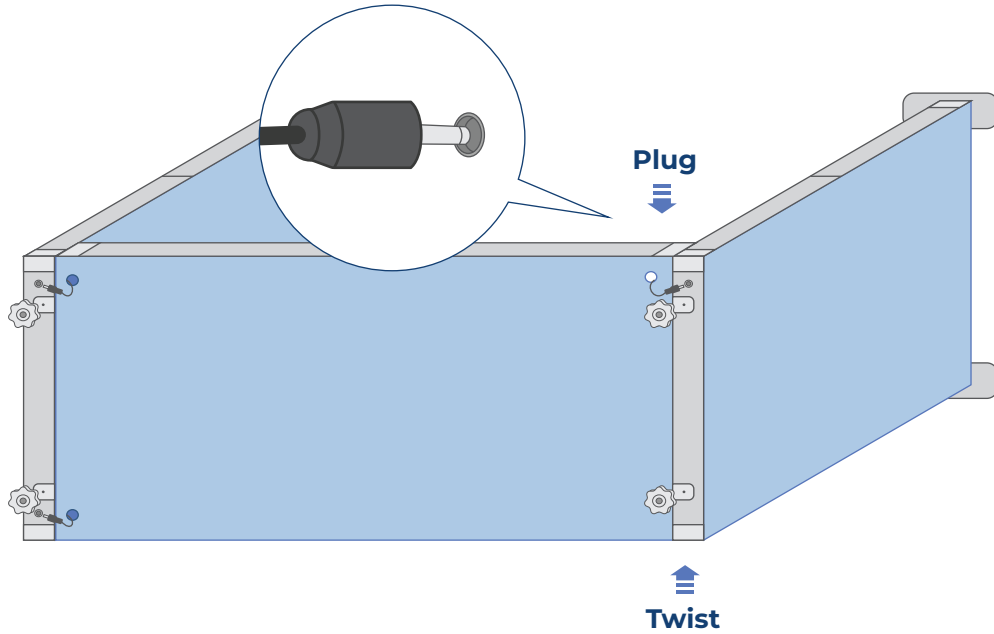
### Install Graphics



Press the edges of the graphic into the grooves of the Frame on both sides.

4

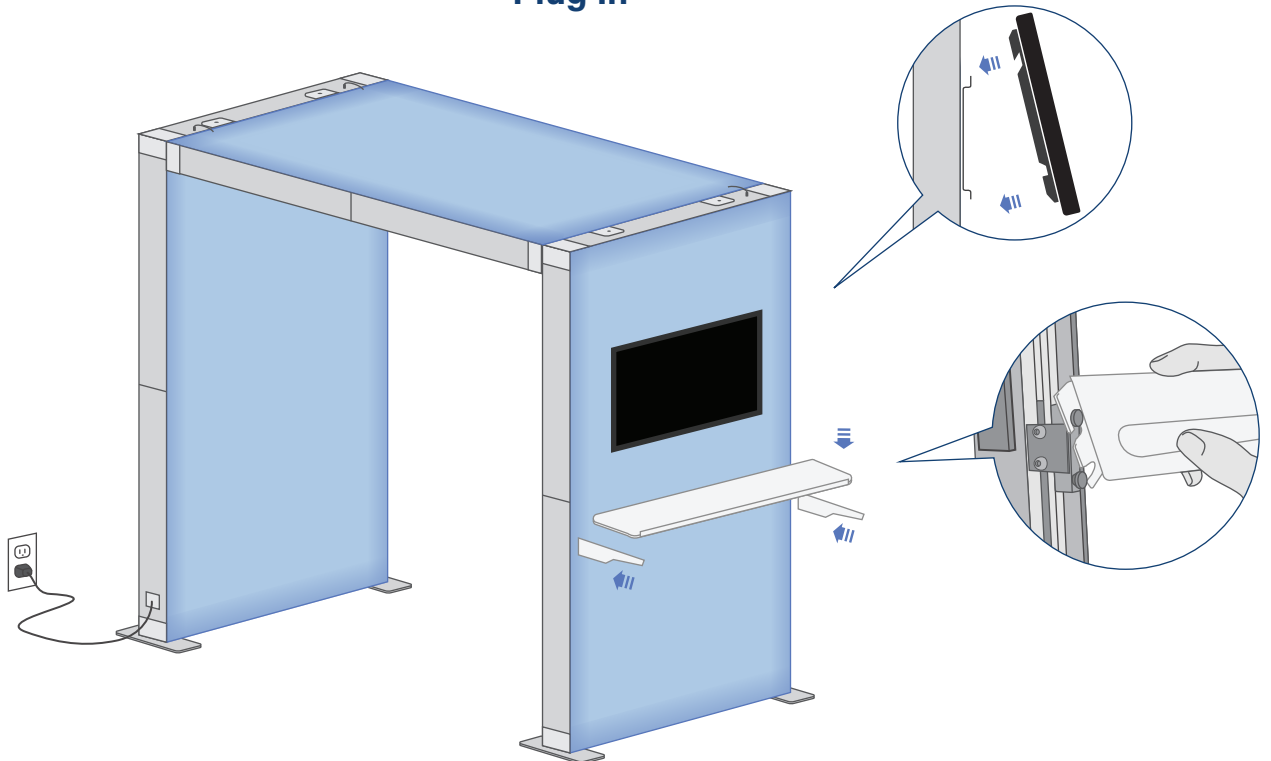
## Connect the Panels



*Plug in the Cables and twist the Top Knobs tight.*

3

## Plug In



*Stand up the Display, then mount your TV & Shelf*