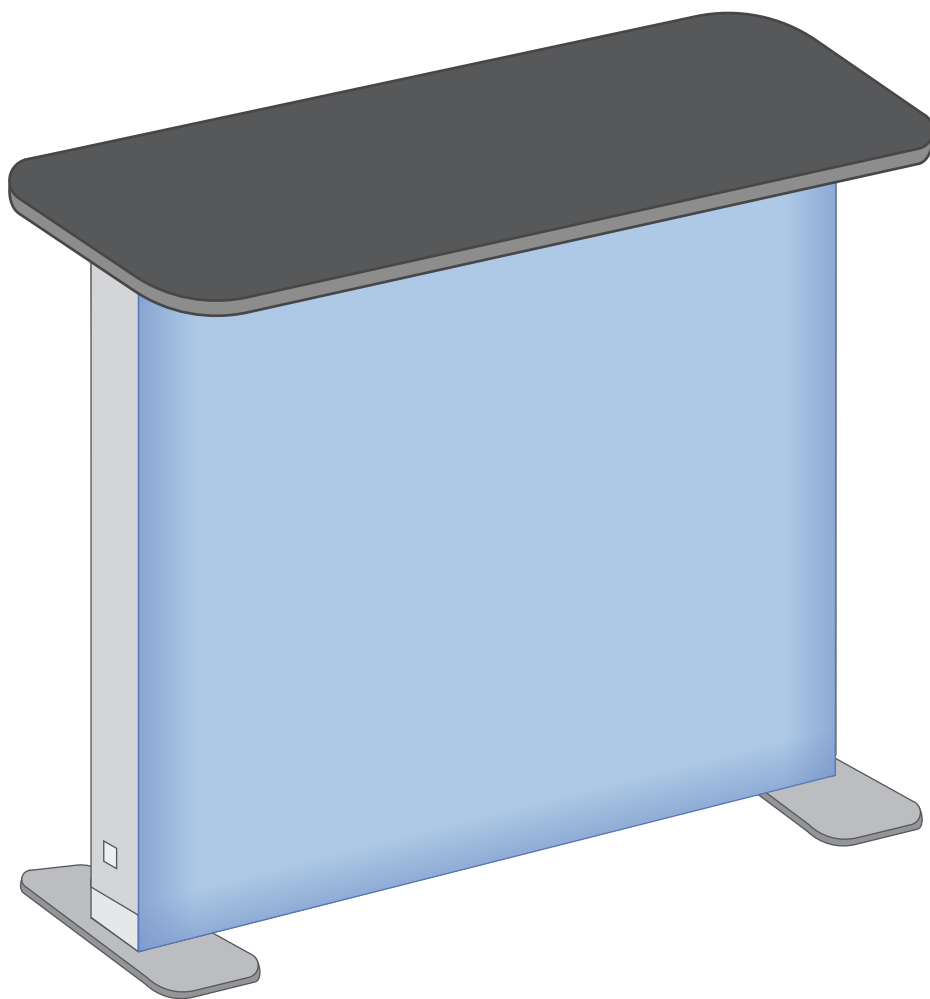


FireFly Podium

ASSEMBLY INSTRUCTIONS



FireFly Podium

ASSEMBLY INSTRUCTIONS

BOX CONTENTS



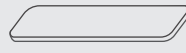
(2) Horizontal Frame Tracks



(2) Vertical Frame Tracks



(2) Feet



(1) Countertop



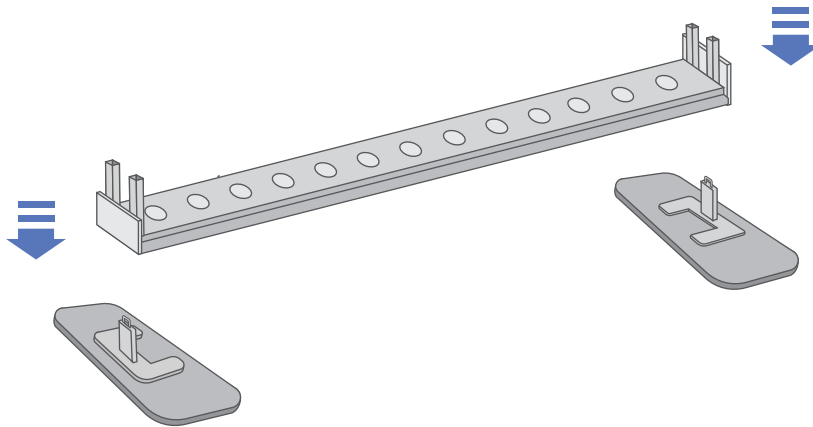
(1) Power Cord



(2) Podium Graphics
(Ships Separately)

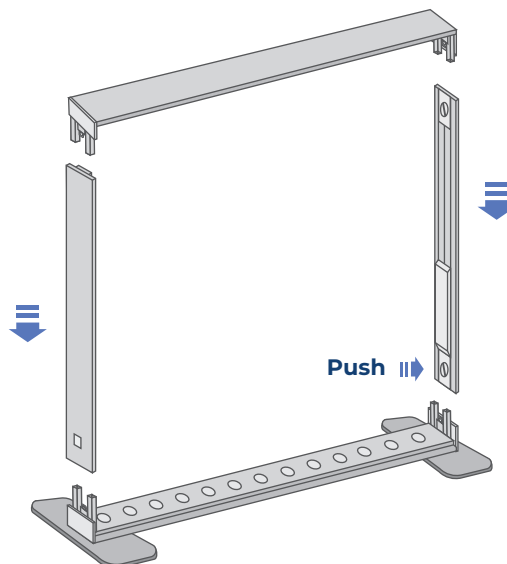
1

Assemble the Base



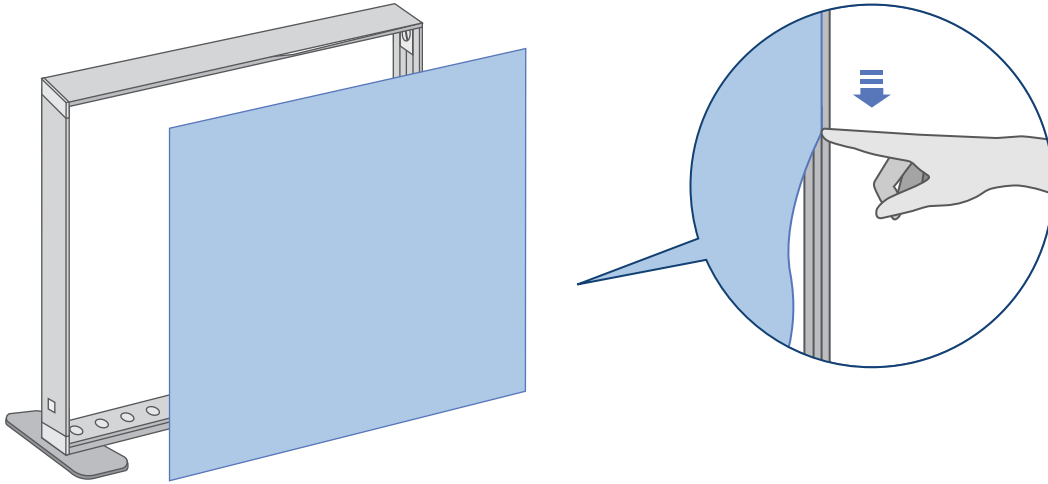
2

Complete the Frame



3

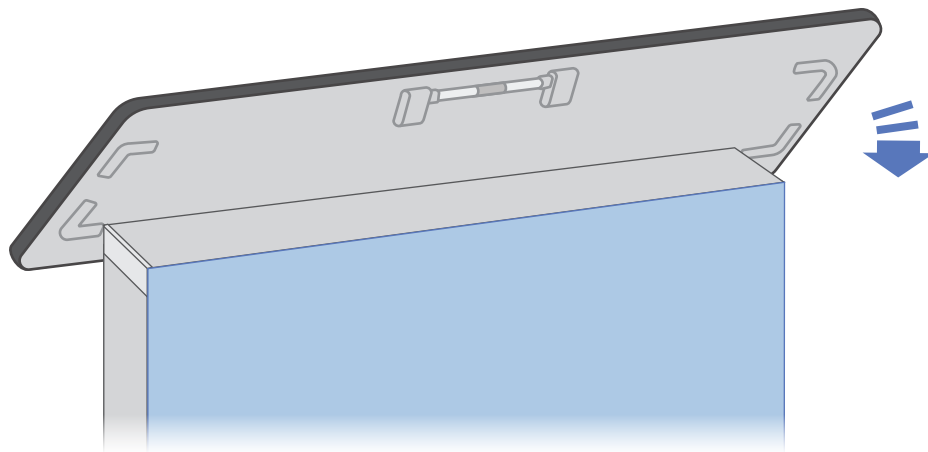
Install the Graphic



Press the edges of the graphic into the grooves of the frame.

4

Install the Countertop



5

Plug In

