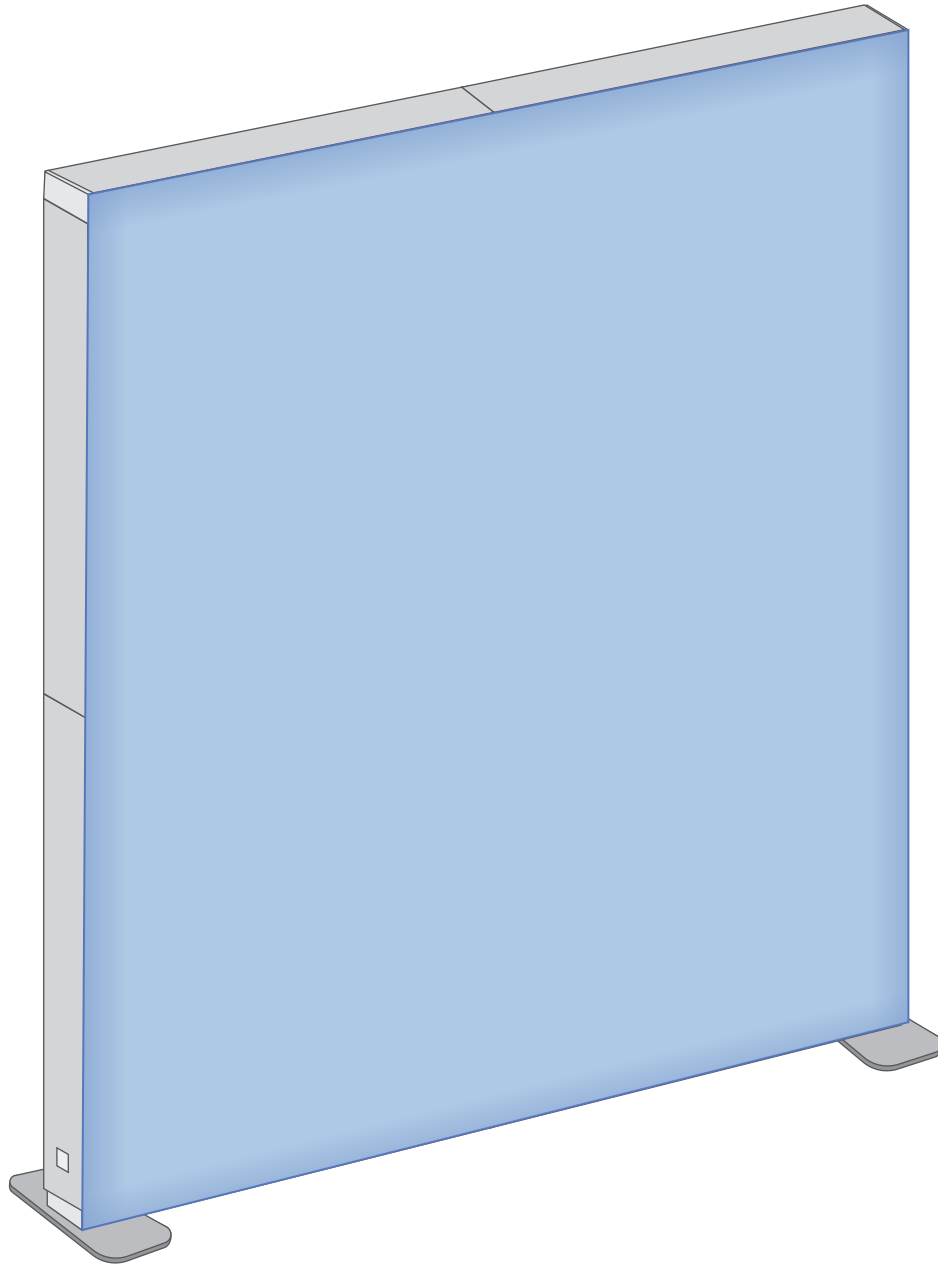


Straight FireFly Display

ASSEMBLY INSTRUCTIONS



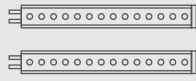
Straight FireFly Display

ASSEMBLY INSTRUCTIONS

BOX CONTENTS



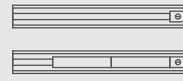
(2) Left Horizontal
Frame Tracks



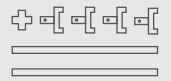
(2) Right Horizontal
Frame Tracks



(2) Top Vertical
Frame Tracks



(2) Bottom Vertical
Frame Tracks



(4) Center Poles
(5 Pole Connectors)



(2) Feet



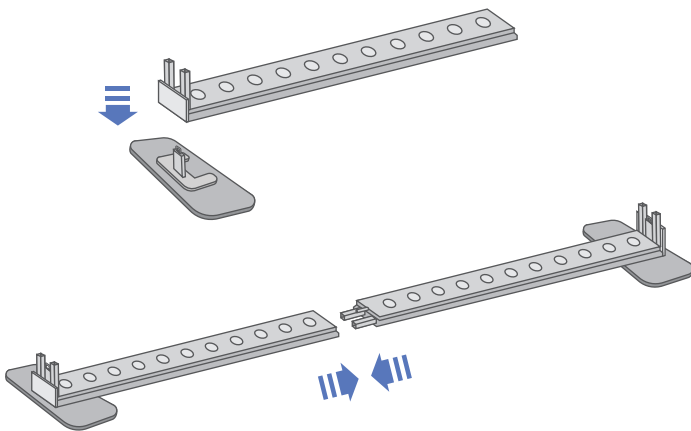
(1) Power Cord



(1) Display Graphic
(Ships Separately)

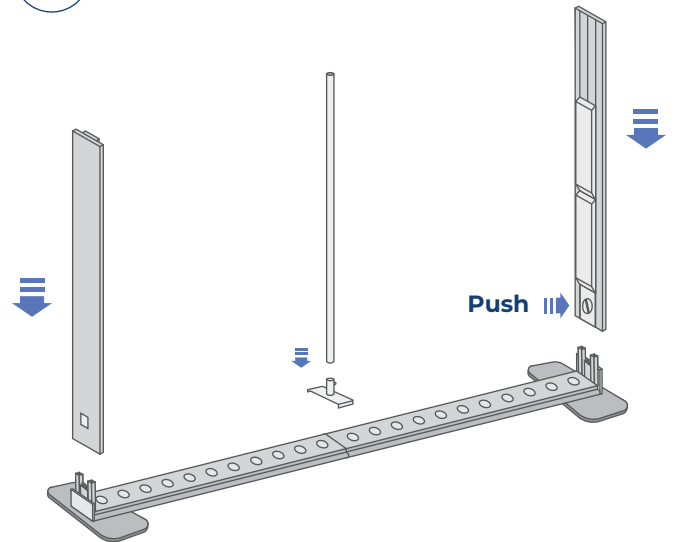
1

Assemble the Base



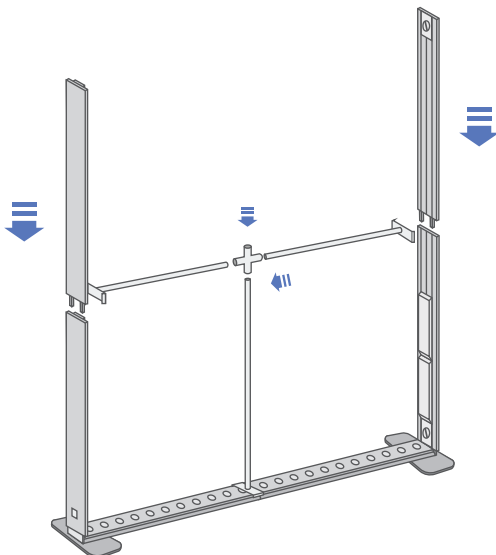
2

Build Upward



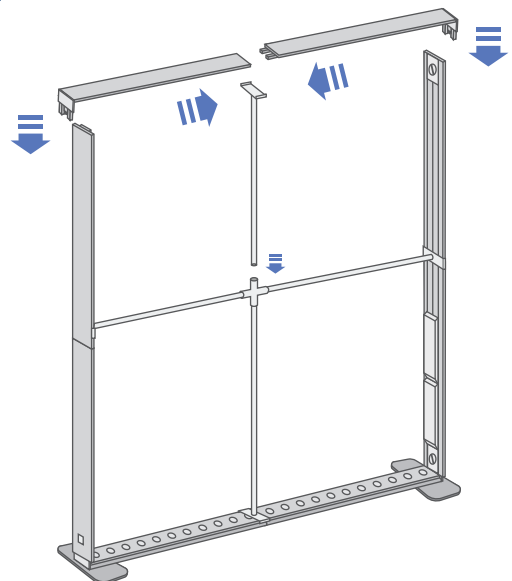
3

Complete the Sides



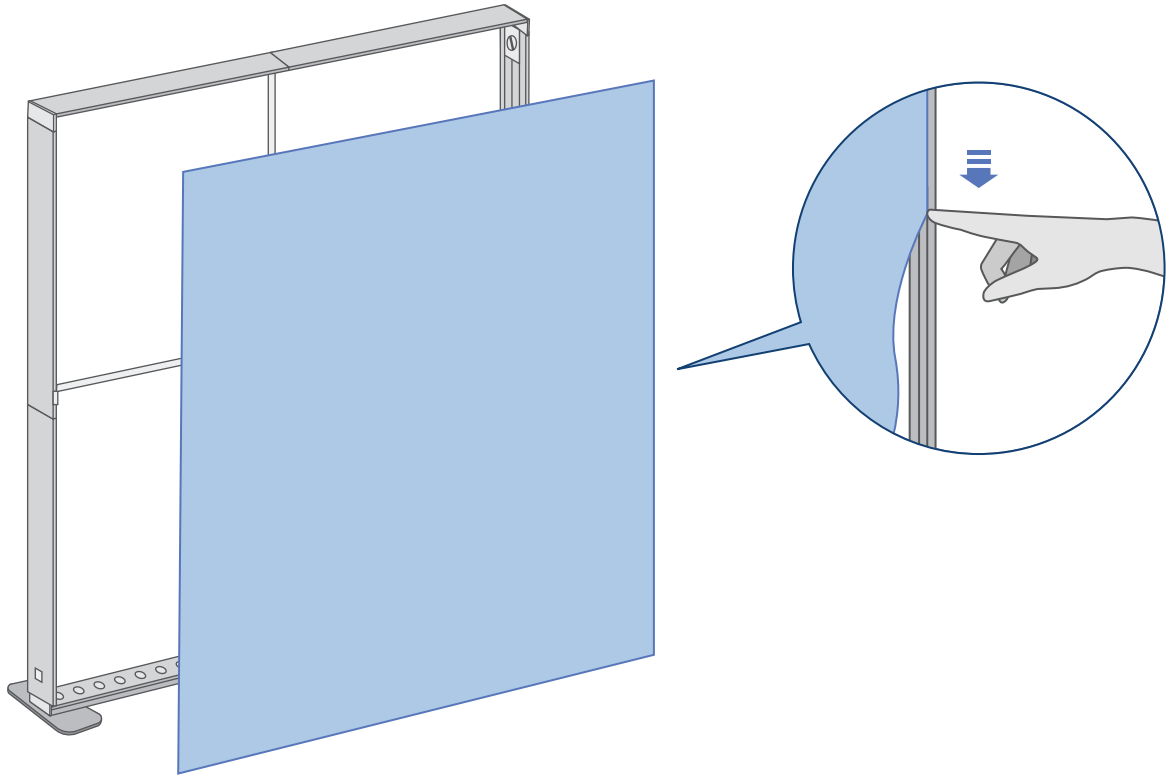
4

Finish the Frame



5

Install the Graphic



Press the edges of the graphic into the grooves of the frame.

6

Plug In

