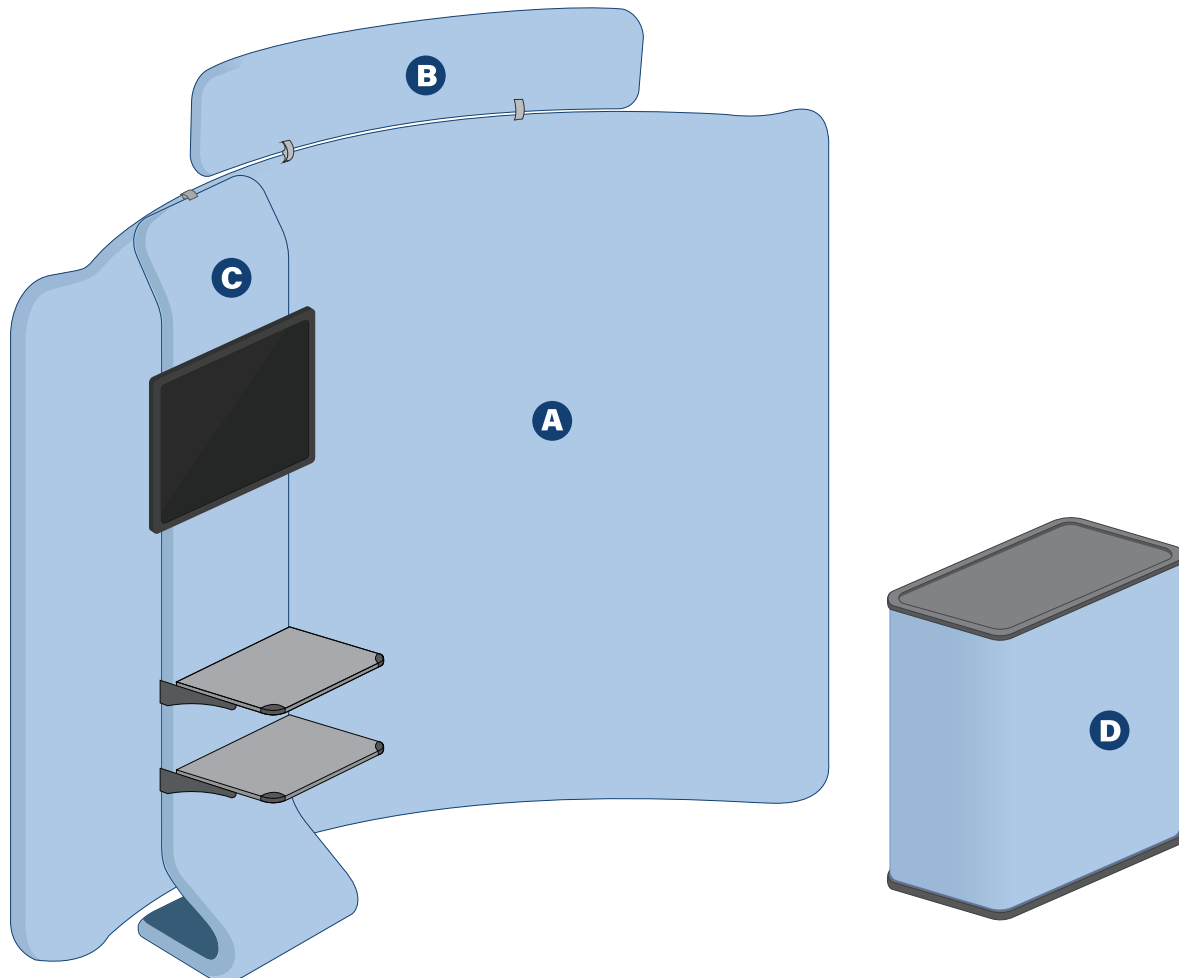


QuickZip™ MAX Curved Display

ASSEMBLY INSTRUCTIONS



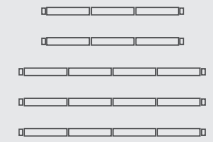
INCLUDED:

- A QuickZip™ Curved Display
- B QuickZip™ Header
- C QuickZip™ Waterfall
- D Hardcase Podium

QuickZip™ Curved Display

ASSEMBLY INSTRUCTIONS

BOX CONTENTS



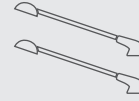
(5) Connected Poles



(5) Corners



(2) Light Clips



(2) LED Lights
(Optional)

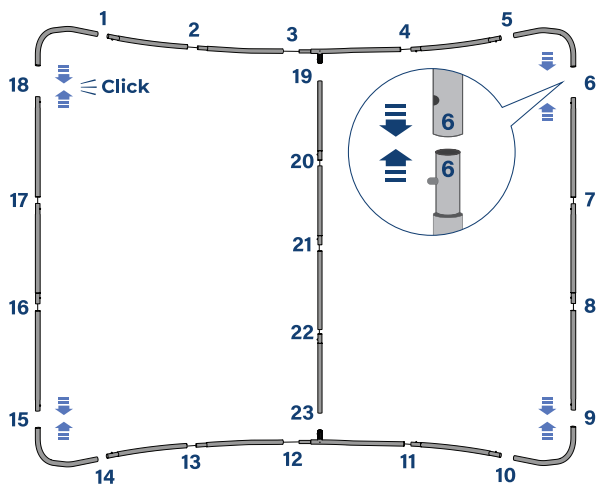


(1) Backdrop Graphic
(Ships Separately)

1

Assemble the Frame

Connect the poles by matching up the numbers. Insert center support pole into the middle of curved poles.

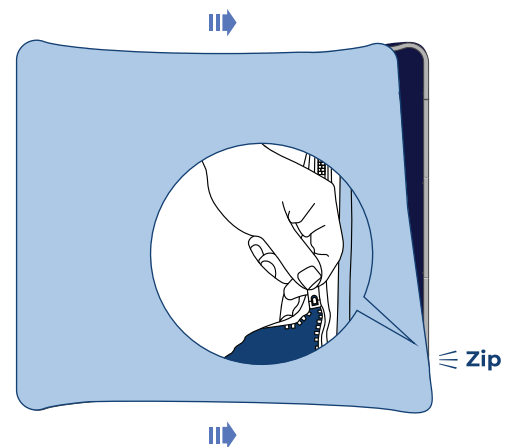


Match numbers 1 to 1, 2 to 2, etc.

2

Install the Graphic

Carefully pull the graphic print over the frame, from left to right, pulling both sides along evenly.

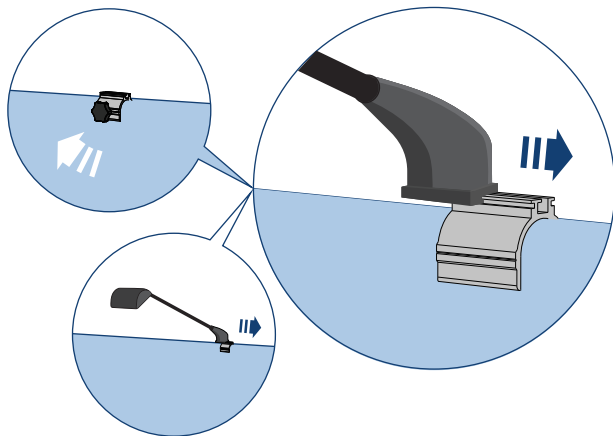


It helps to have a second person to pull the other side simultaneously.

3

Attach LED Lights (Optional)

Attach light clips to the frame (knobs facing back) and tighten until secure. Slide LED lights into the top grooves.

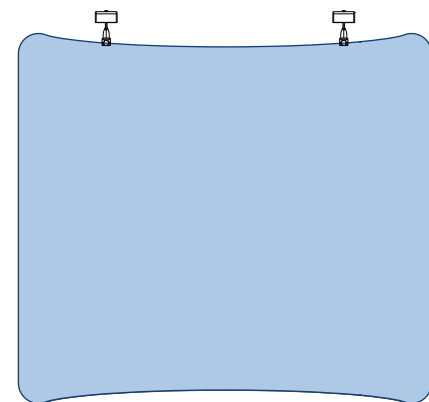


To avoid stripping the light clips, do not twist the knobs too tight.

4

Align the Display

Stand up the frame and shift or wiggle the corners until it's aligned and standing upright. Plug in your lights and your display is ready for action!



You can adjust the frame alignment by having a person on each side gently shift the top corners until the display stands completely straight.

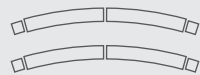
QuickZip™ Header

ASSEMBLY INSTRUCTIONS

BOX CONTENTS



(2) Side Poles



(2) Top & Bottom Poles



(2) Header Clamps

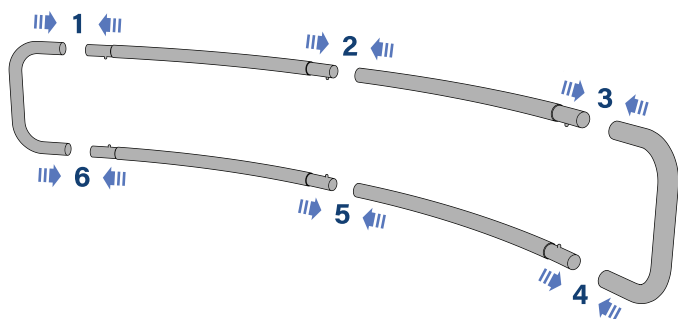


(1) Header Graphic
(Ships Separately)

1

Assemble the Frame

Connect the poles by matching up the numbers.

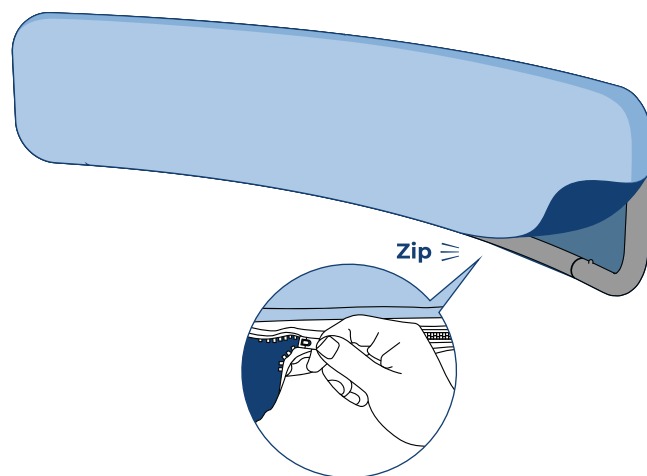


Match numbers 1 to 1, 2 to 2, etc.

2

Install the Graphic

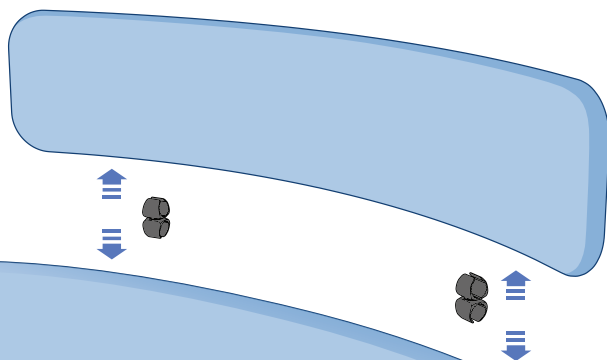
Carefully pull the graphic print over the frame, ensuring both sides are pulled down at the same time.



3

Attach Header to Backdrop

Place the backdrop display flat on the floor, align the header above the backdrop and attach the clamps between the frames.

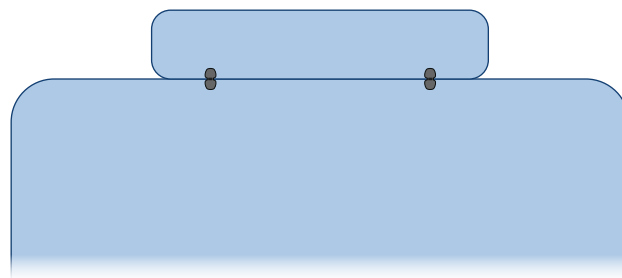


Tighten the clamps with the allen key to secure the header in place.

4

Align the Display

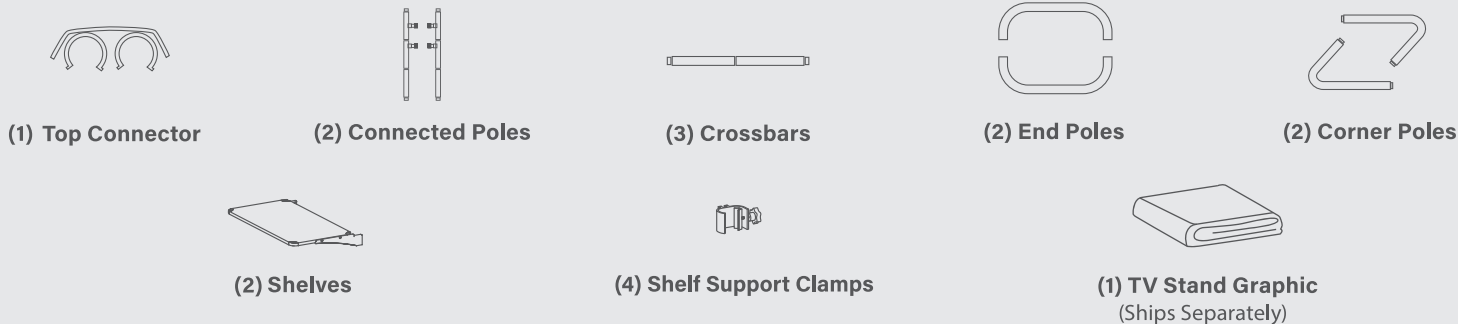
Carefully lift the frame and Header back to an upright position. Your display is ready for action!



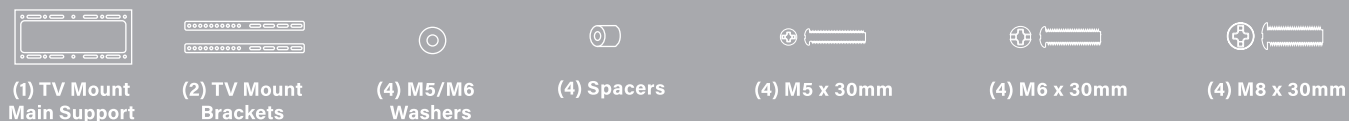
QuickZip™ Waterfall

ASSEMBLY INSTRUCTIONS

BOX CONTENTS - WATERFALL HARDWARE



BOX CONTENTS - TV MONITOR HARDWARE



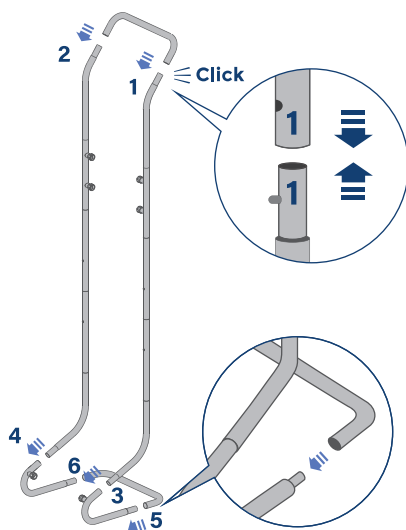
NOT FOR USE WITH DISPLAY



1

Assemble the Frame

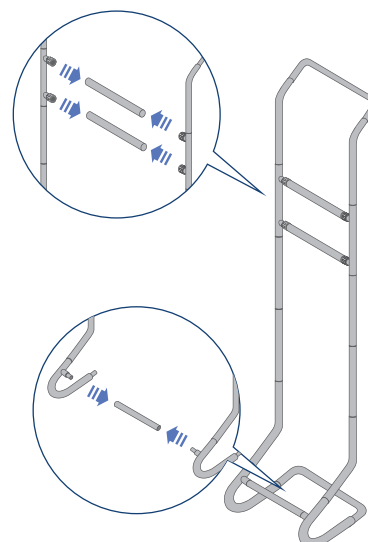
Using the numbers on the frame, connect the poles together.



2

Attach Crossbars

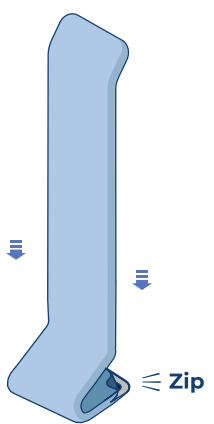
Connect both sides together by using the crossbars. Connect both the top and bottom end poles.



3

Install the Graphic

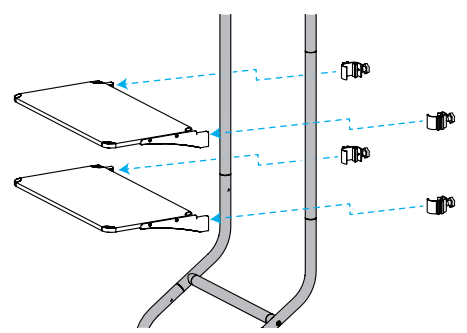
Carefully pull the graphic print over the frame, ensuring both sides are pulled down at the same time.



4

Install Shelves

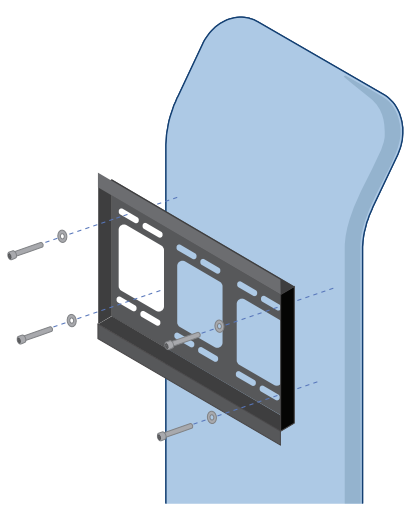
Attach the clamps to the frame at the desired height, and twist the knob until secure. Then slide the shelves onto the side ridges of the clamps.



5

Attach TV Mount

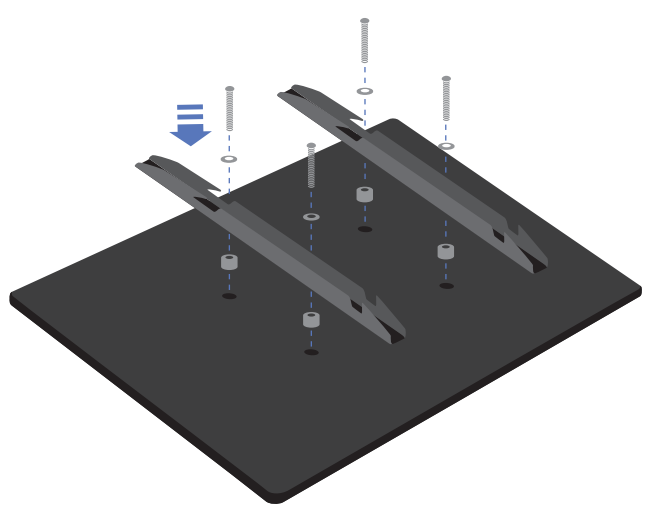
Screw the TV Mount on the Waterfall using the TV Mount Screws and metal washers.



6

Attach Brackets to Monitor

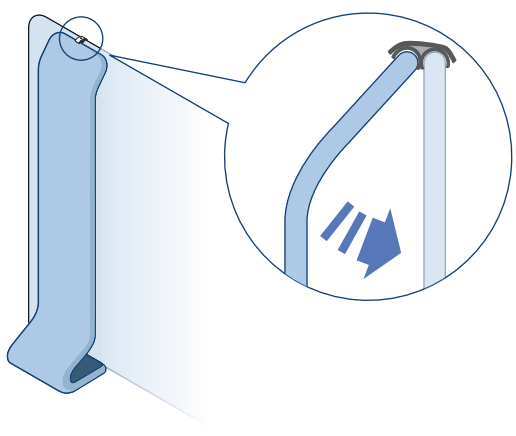
Attach the brackets on your monitor using the M5, M6, or M8 TV Bracket Screws.



7

Attach to Backdrop

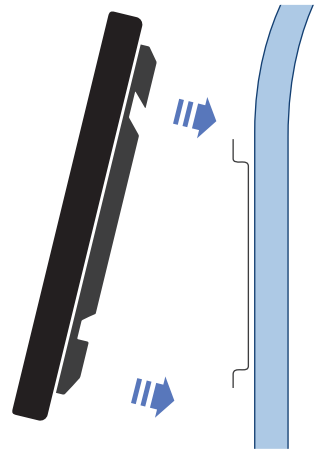
Use the Top connector piece to attach the Waterfall to the Backdrop frame.



8

Attach Monitor to Stand

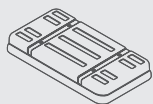
After the Waterfall is securely attached to the backdrop, connect the monitor to the monitor mount.



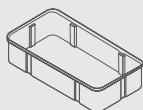
Hardcase / Podium

ASSEMBLY INSTRUCTIONS

BOX CONTENTS



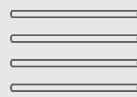
(1) Case Shell A



(1) Case Shell B



(1) Counter Top



(4) Poles

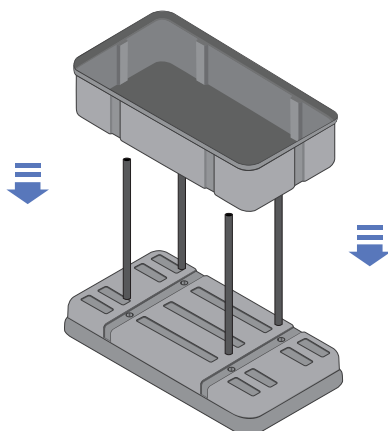


(1) Podium Graphic
(Ships Separately)

1

Assemble the Frame

Place Case Shell A on the floor and securely insert the poles into the four holes. Then align Case Shell B over the four poles, match up the holes, and fit securely into place.

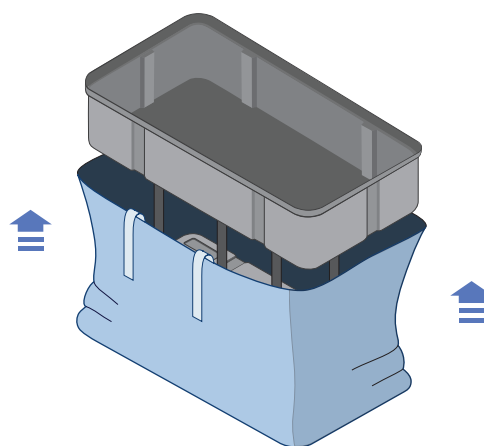


To ensure poles are inserted correctly, twist or firmly press down until they are fully secure.

2

Install the Graphic

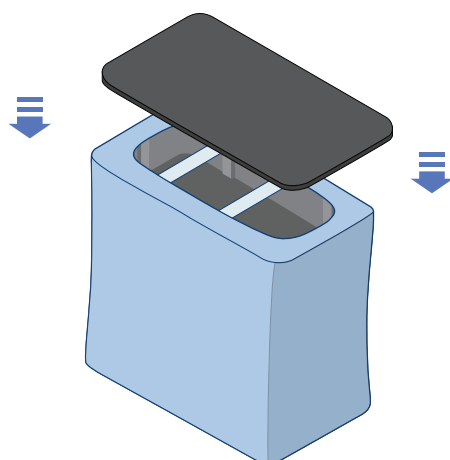
Starting at the base, wrap the graphic around Case Shell A and pull up over the top of Case Shell B, one corner at a time. Adjust the graphic so it's straight, then zip the back.



3

Attach the Counter Top

Place the black Counter Top piece on top and press down to ensure the grooves fit over the edges of the case shell.



4

Store Personal Items

Hide samples, marketing materials, or personal items inside the podium by storing under the case lid or within the zipper compartment in the back. Your Podium is ready for action!

