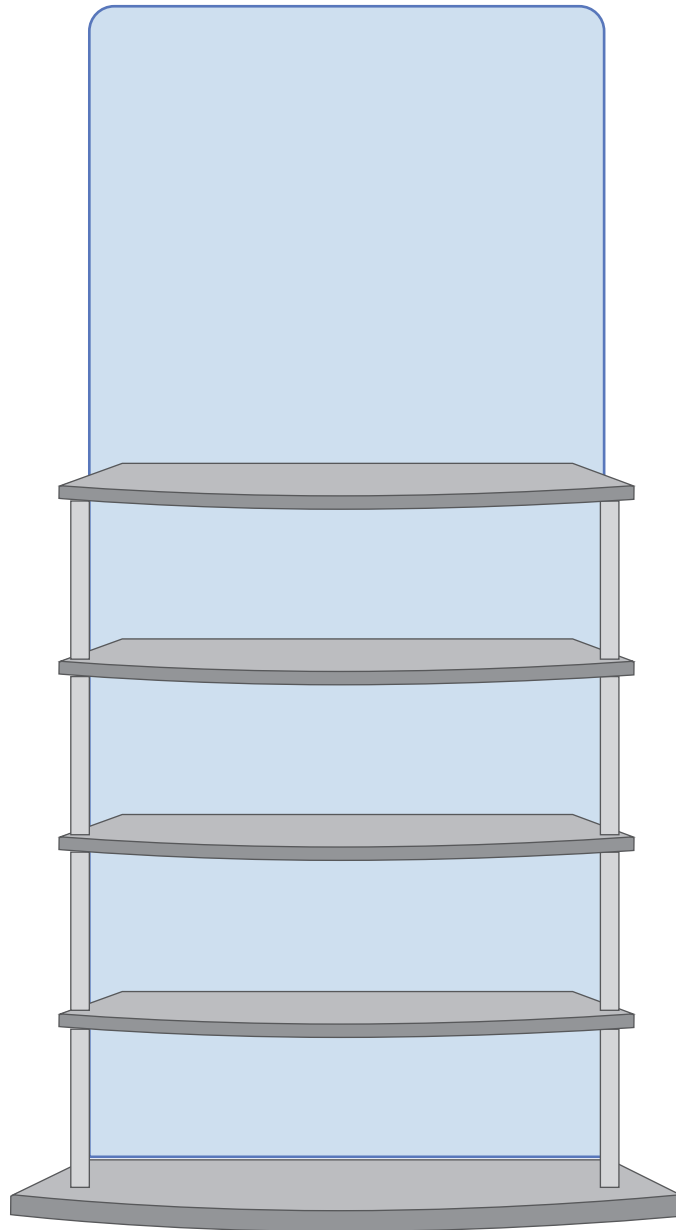
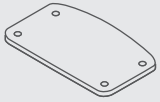


QuickZip™ ShowTime

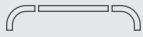
ASSEMBLY INSTRUCTIONS



BOX CONTENTS



Base



End Poles



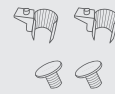
(8) Graphic Frame Poles



(8) Shelf Poles
(Incl. Base & Top Poles)



(4) Shelves



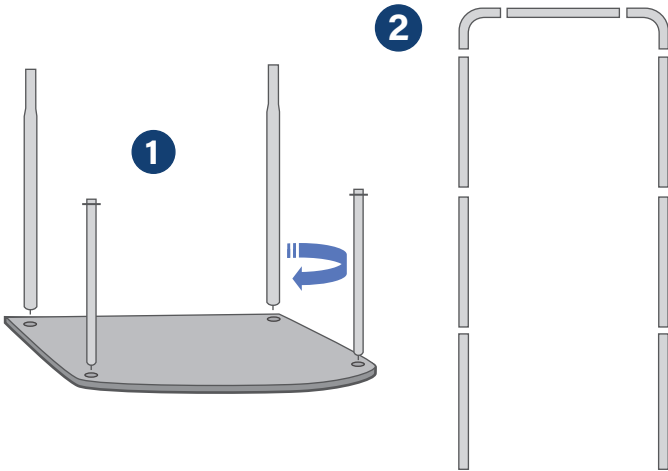
(8) Shelving Mounts
(2) Screw Caps



(1) Graphic Print
(Ships Separately)

1

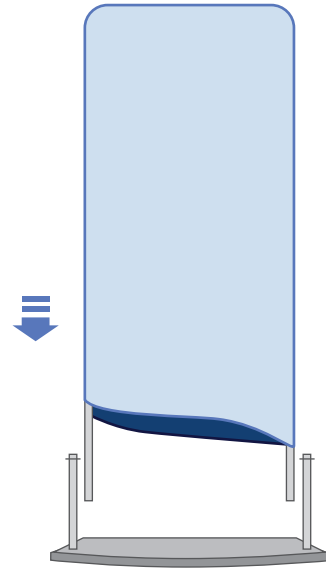
Assemble the Frame



Assemble the Base and Frame separately.

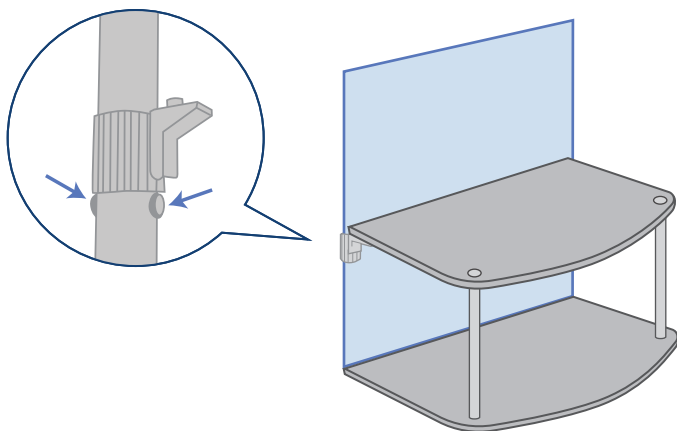
2

Install the Graphics



3

Attach Shelves



Place the shelving mounts where you can feel the indicators through the graphics.

4

Align the Display

